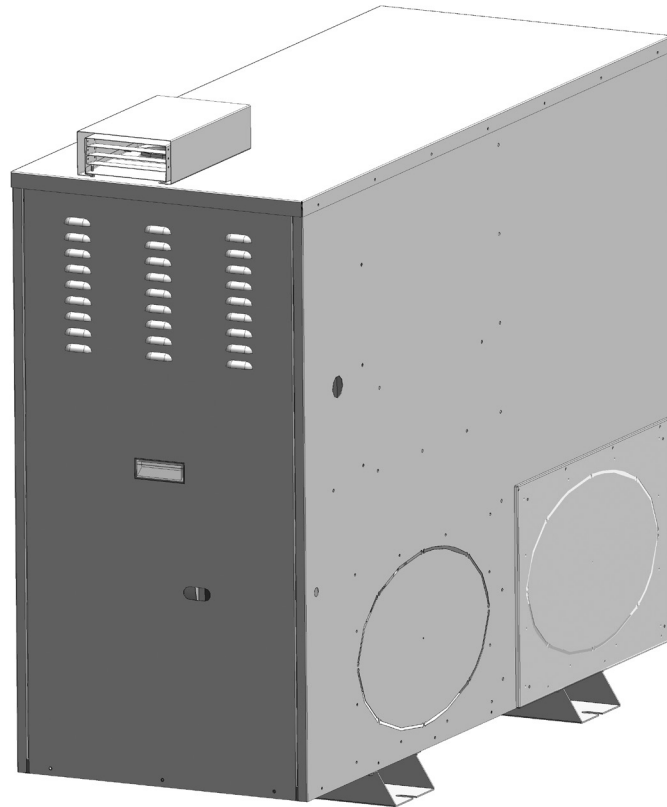


LENNOX MERIT SERIES™ GAS FURNACE



WARNING

FIRE OR EXPLOSION HAZARD.

Failure to follow safety warnings exactly could result in serious injury, death, or property damage.

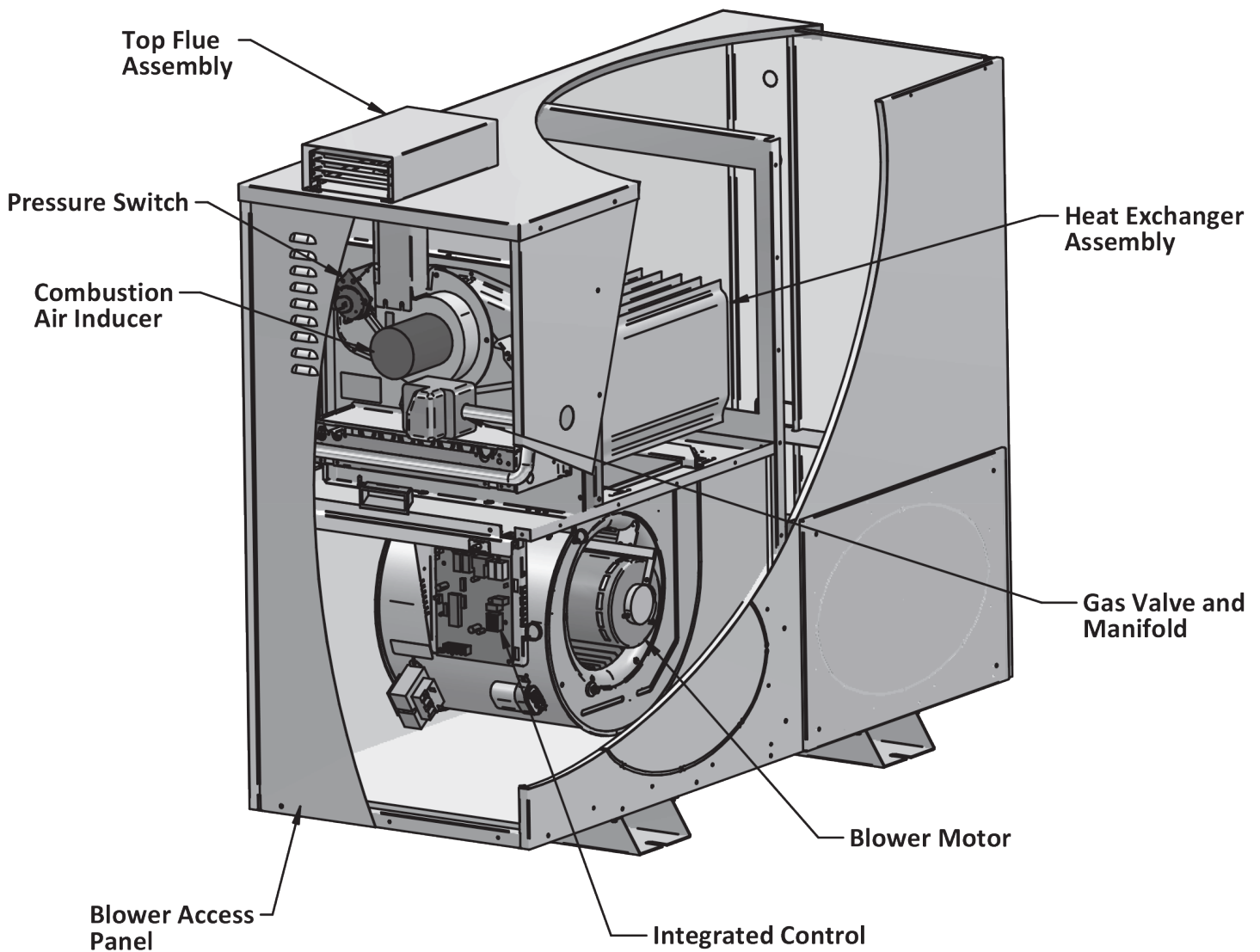
- > Do not store or use gasoline or other flammable vapours and liquids in the vicinity of this or any other appliance.
- > Installation and service must be performed by a qualified installer, service agency or the gas supplier.

WHAT TO DO IF YOU SMELL GAS:

- > Do not try to light any appliance.
- > Do not touch any electrical switch; do not use any phone in your building.
- > Leave the building immediately.
- > Immediately call your gas supplier from a neighbour's phone. Follow the gas supplier's instructions.
- > If you cannot reach your gas supplier, call the fire department.

LENNOX MERIT SERIES™ PARTS IDENTIFICATION

Figure 1



NOTE: This manual is the property of the homeowner and must be left with the equipment user.

NOTICE TO HOMEOWNER

This furnace is equipped with safety devices that protect you and your property. If one or more of these devices is activated, furnace operation will stop. If your home is left unattended for an extended period of time, equipment operation must be checked periodically. If this is not possible, the water supply to the house should be shut off and the pipes should be drained. This will prevent problems associated with a NO HEAT condition (frozen pipes, etc.).



CAUTION

Before attempting to perform any service or maintenance, turn the electrical power to unit OFF at the disconnect switch.



WARNING

Do not set thermostat below 60°F (16°C) in heating mode. Setting thermostat below 60°F (16°C) reduces the number of heating cycles. Damage to the unit may occur that is not covered by the warranty.



WARNING

If overheating occurs or if gas supply fails to shut off, shut off the manual gas valve to the furnace before shutting off electrical supply.



WARNING

Do not use this furnace if any part has been underwater. A flood-damaged furnace is extremely dangerous. Attempts to use the furnace can result in fire or explosion. Immediately call a licensed professional service technician (or equivalent) to inspect the furnace and to replace all gas controls, control system parts, and electrical parts that have been wet or to replace the furnace, if deemed necessary.



NOTICE

Any additions, changes, or conversions required in order for the appliance to satisfactorily meet the application needs must be made by a licensed professional installer (or equivalent) using factory-specified and approved parts.



WARNING

Improper installation, adjustment, alteration, service or maintenance can cause property damage, personal injury or loss of life. Installation and service must be performed by a licensed professional installer (or equivalent), a service agency, or the gas supplier.

SAFETY INSTRUCTIONS

1. Keep the furnace area clear and free of combustible material, gasoline, and other flammable vapours and liquids. If it is installed in an insulated area, the furnace must be kept free of insulating material. Insulating material may be combustible.
2. After any heavy snow, ice or frozen fog event, the furnace vent pipes may become restricted. Always check the vent system and remove any snow or ice that may be obstructing the plastic intake or exhaust pipes.
3. **DO NOT** obstruct air flow to unit. Unit must receive an unobstructed flow of combustion and ventilating air. DO NOT block or obstruct air openings on the furnace or air openings to the area in which the furnace is installed. Take care to maintain established clearances surrounding the furnace.
4. **DO NOT** store chlorine or fluorine products near unit or introduce these products into the combustion air. These products can cause furnace corrosion.
5. **DO NOT draw return air from a room where this furnace, or any other gas appliance (ie., a water heater), is installed.** When return air is drawn from a room, a negative pressure is created in the room. If a gas appliance is operating in a room with negative pressure, the flue products can be pulled back down the vent pipe and into the room. This reverse flow of the flue gas may result in incomplete combustion and the formation of carbon monoxide gas. This toxic gas might then be distributed throughout the house by the furnace duct system.



WARNING

The blower door must be securely in place when the blower and burners are operating. Gas fumes, which could contain carbon monoxide, can be drawn into the living space resulting in personal injury or death.

Your furnace is a gas appliance. It is critical that the gas supplied to the unit be completely burned to avoid the production of carbon monoxide gas. Complete combustion of the gas requires, but is not limited to, correct gas pressure and gas flow rate, adequate combustion, air, and proper venting.



WARNING

Carbon monoxide gas is invisible, odourless and toxic.

Exposure to carbon monoxide gas can cause personal injury and even death to all occupants, including pets. Any item that is powered by or gives off heat from a combustion process (including lawn mowers, automobiles, and fireplaces) has the potential to produce carbon monoxide gas. Because of this, **Lennox recommends the use of a carbon monoxide detector in your home, even if you do not own gas appliances.** Reliable detectors are available at reasonable retail prices. Contact your Lennox dealer for more details about this investment in your safety.

Your furnace is designed to meet standards set by national agencies, and to operate safely when properly installed and maintained. However, the unit's performance can be greatly impacted by the individual installation and the operating environment. It is your responsibility to ensure that this appliance is maintained. Proper maintenance is critical for your safety and the satisfactory operation of the product. **Lennox strongly recommends annual inspection and maintenance of this appliance.** Contact your Lennox dealer for an inspection by a licensed professional service technician (or equivalent).



DANGER

Danger of explosion.

There are circumstances in which odourant used with LP/propane gas can lose its scent. In case of a leak, LP/propane gas will settle close to the floor and may be difficult to smell. An LP/propane leak detector should be installed in all LP applications.

Do not attempt to bleed the gas lines of air. Call your local gas provider.

START-UP & OPERATION INFORMATION



WARNING

If you do not follow these instructions exactly, a fire or explosion may result causing property damage, personal injury or death.

BEFORE PLACING THE UNIT INTO OPERATION, smell all around the appliance area for gas. Be sure to smell next to the floor because some gas is heavier than air and will settle on the floor.

The gas valve on the Lennox Merit Series™ will be equipped with a gas control switch. Use only your hand to move the switch. Never use tools. If the switch will not move by hand, do not try to repair it. Call a licensed professional service technician (or equivalent). Force or attempted repair may result in a fire or explosion.

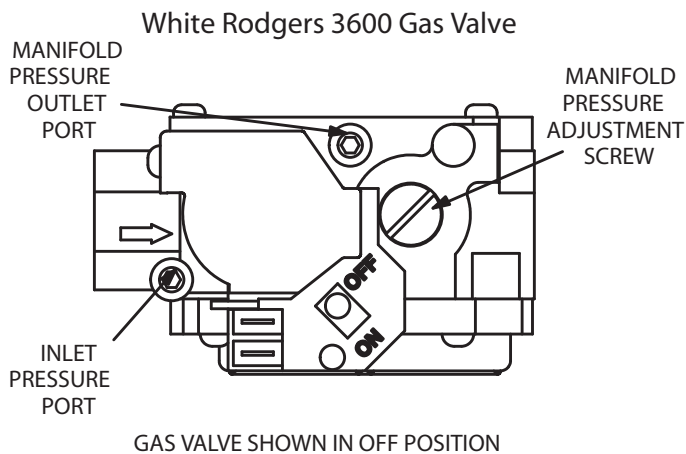
Placing the Lennox Merit Series™ furnace into operation:

Lennox Merit Series™ units are equipped with an ignition system. Do not attempt to manually light burners on this furnace. Each time the thermostat calls for heat, the burners will automatically light. The ignitor does not get hot when there is no call for heat on units with this ignition system.

Operating the Gas Valve (Figure 2)

1. **STOP!** Read the safety information at the beginning of this section.
2. Set the thermostat to the lowest setting.
3. Turn off all electrical power to the unit.
4. This furnace is equipped with an ignition device which automatically lights the burners. Do **not** try to light the burners by hand.
5. Remove the upper access panel.
6. Move lever on gas valve to **OFF**. See figure 2.
7. Wait five minutes to clear out any gas. If you then smell gas, **STOP!** Immediately call your gas supplier from a neighbour's phone. Follow the gas supplier's instructions. If you do not smell gas go to next step.
8. Move lever on gas valve to **ON**. See figure 2.

Figure 2



9. Replace the upper access panel.
 10. Turn on all electrical power to the unit.
 11. Set the thermostat to desired setting.
- NOTE: When unit is initially started, steps 1 through 11 may need to be repeated to purge air from gas line.
12. If the appliance will not operate, follow the section "Turning Off Gas to the Unit" and call your licensed professional service technician (or equivalent).

Turning Off Gas to the Unit

1. Set the thermostat to the lowest setting.
2. Turn off all electrical power to the unit if service is to be performed.
3. Remove the upper access panel.
4. Move lever on gas valve **OFF**.
5. Replace the upper access panel.

FILTERS

All ML180A filters are installed external to the unit. Filters should be inspected monthly. Clean or replace the filters when necessary to ensure proper furnace operation. Replacement filters must be rated for high velocity airflow.

Table 1 lists recommended filter sizes.

A filter must be in place when the unit is operating.

Table 1

Furnace Cabinet Width	Filter Size mm (in) and Quantity	
	Side Return	Bottom Return
A – 338 (14–1/2")	406 X 635 X 25 1 (16 X 25 X 1)	356 X 635 X 25 1 (14 X 25 X 1)
B – 446 (17–1/2")	406 X 635 X 25 1 (16 X 25 X 1)	406 X 635 X 25 1 (16 X 25 X 1)
C – 533 (21")	405 X 635 X 25 1 (16 X 25 X 1)	508 X 635 X 25 1 (20 X 25 X 1)
D – 622 (24–1/2")	405 X 635 X 25 2 (16 X 25 X 1)	610 X 635 X 25 1 (24 X 25 X 1)

MAINTENANCE

A licensed professional service technician (or equivalent) should inspect the complete system each season (heating and cooling). The following maintenance procedures should only be conducted by a licensed professional service technician (or equivalent). **Do not attempt to service the unit in any way.**



WARNING

ELECTRICAL SHOCK, FIRE, OR EXPLOSION HAZARD.

Failure to follow safety warnings exactly could result in dangerous operation, serious injury, death or property damage.

Improper servicing could result in dangerous operation, serious injury, death, or property damage.

Before servicing, disconnect all electrical power to furnace.

When servicing controls, label all wires prior to disconnecting.

Take care to reconnect wires correctly.

Verify proper operation after servicing.

VENTING SYSTEM



WARNING

Asphyxiation Hazard

The exhaust vent for this furnace must be leak-free and must be securely connected to the furnace flue collar at all times.

For your safety and to fulfill the terms of the limited warranty, a licensed professional service technician (or equivalent) must annually inspect this furnace and its vent system.

Annually (before heating season) inspect furnace venting system, vent cap, heat exchanger, and burners for corrosion, deterioration, or deposits of debris. Remove any obstructions.

Inspect the furnace for obvious signs of deterioration. Inspect the furnace venting system to make sure it is in place, physically sound, and without holes, corrosion, or blockage.

Vent pipe must be clear and free of obstructions and must slope upward away from the furnace.

Inspect the furnace return air duct connection to ensure duct is sealed to the furnace and terminates outside the space containing the furnace.

Inspect the physical support of the furnace to guarantee that it is sound without sagging, cracks or gaps around base and it maintains seal between base and support.

Inspect the condensate drain and trap for leaks and cracks.

The drain and trap must also be cleaned and the trap must be filled with water.

During a seasonal check the service technician will conduct a combustion analysis. The technician will also inspect the indoor blower, burner flames, electrical connections and the venting system.

BLOWER

Check the blower wheel for debris and clean if necessary.

The blower motors are prelubricated for extended bearing life. No further lubrication is needed.



WARNING

The blower access panel must be securely in place when the blower and burners are operating. Gas fumes, which could contain carbon monoxide, can be drawn into living space resulting in personal injury or death.

BURNER FLAME



CAUTION

To ensure proper operation, a licensed professional service technician (or equivalent) should check the burner flame and conduct a combustion analysis annually.

ELECTRICAL

1. Check all wiring for loose connections.
2. Check for the correct voltage at the furnace (furnace operating).
3. Check amp-draw on the blower motor.

Motor Nameplate _____ Actual _____

SERVICE REMINDER

Call your Lennox service technician if the unit will not operate.

Before calling, always check the following to be sure service is required:

1. Check that electrical disconnect switches are **ON**.
2. Check room thermostat for proper setting.
3. Replace any blown fuses or reset circuit breakers.
4. Gas valve should be **ON**.
5. Air filter should not be plugged, which will limit air flow.
6. Is gas turned on at meter?
7. Is manual main shut-off valve open?

Record the model and serial number of the furnace. These numbers are on the unit nameplate, which is located on the blower deck below the combustion air inducer.

Serial Number _____

Model Number _____

SAFETY PRECAUTIONS

If you discover any of the following, shut down your unit, and contact a Lennox dealer for an inspection by a licensed professional service technician (or equivalent).

- > If you repeatedly hear any new or unfamiliar sounds while your unit is operating, there may be a problem. For example, poorly performing burners can produce unfamiliar noises.
- > If you smell any unusual odors, your unit may be operating improperly. For example, units can give off unfamiliar odours if components are required to operate in abnormal conditions.
- > Look for visible signs of a malfunctioning unit. Examples include unusual amounts of condensate on windows inside your house, visibly burnt components or unusual dirt or rust accumulations on the vent pipe or in the unit.
- > If you experience headache, nausea, fatigue, or dizziness, the cause could be exposure to carbon monoxide gas. This is often misdiagnosed as the flu because symptoms are similar. If you suffer from flu-like symptoms that are exaggerated at home, but seem to subside while you are away from the house, exposure to carbon monoxide could be the cause.

Your vigilance may pay off in early detection of a problem before either personal injury or property damage occurs.

Do not hesitate to contact a qualified service technician as an investment in your well being.

PLANNED SERVICE

You should expect a service technician to check the following items during an annual inspection. Power to the unit must be shut off for the service technician's safety.

Fresh air grilles and louvers (on the unit and in the room where the furnace is installed) – Must be open and unobstructed to provide combustion air.

Burners – Must be inspected for rust, dirt, or signs of water.

Vent pipe – Must be inspected for signs of water, damaged or sagging pipe, or disconnected joints.

Unit appearance – Must be inspected for rust, dirt, signs of water, burnt or damaged wires, or components.

Blower access door – Must be properly in place and provide a seal between the return air and the room where the furnace is installed.

Return air duct – Must be properly attached and provide an air seal to the unit.

Operating performance – Unit must be observed during operation to monitor proper performance of the unit and the vent system.

Combustion gases – Flue products must be analyzed and compared to the unit specifications.

Problems detected during the inspection may make it necessary to temporarily shut down the furnace until the items can be repaired or replaced.

Pay attention to your furnace. Situations can arise between annual furnace inspections that may result in unsafe operation. For instance, items innocently stored next to the furnace may obstruct the combustion air supply. This could cause incomplete combustion and the production of carbon monoxide gas.

REPAIR PARTS LIST

The following repair parts are available through Lennox dealers. When ordering parts, include the complete furnace model number listed on the CSA International nameplate — Example: ML18007036A - E or EC. **All service must be done by a licensed professional installer (or equivalent), a service agency, or the gas supplier.**

Cabinet Parts

- > Upper access panel
- > Blower panel
- > Top cap

Control Panel Parts

- > Transformer
- > Integrated control
- > Door interlock switch

Blower Parts

- > Blower wheel
- > Blower housing
- > Motor
- > Motor mounting frame
- > Motor capacitor
- > Blower housing cutoff plate

Heating Parts

- > Flame sensor
- > Heat exchanger assembly
- > Gas manifold
- > Combustion air inducer
- > Gas valve
- > Main burner cluster
- > Main burner orifices
- > Pressure switch
- > Ignitor
- > Primary limit control
- > Flame rollout switches



WARNING

Product contains fibreglass wool.

Disturbing the insulation in this product during installation, maintenance, or repair will expose you to fibreglass wool. Breathing this may cause lung cancer. Fibreglass wool may also cause respiratory, skin, and eye irritation.

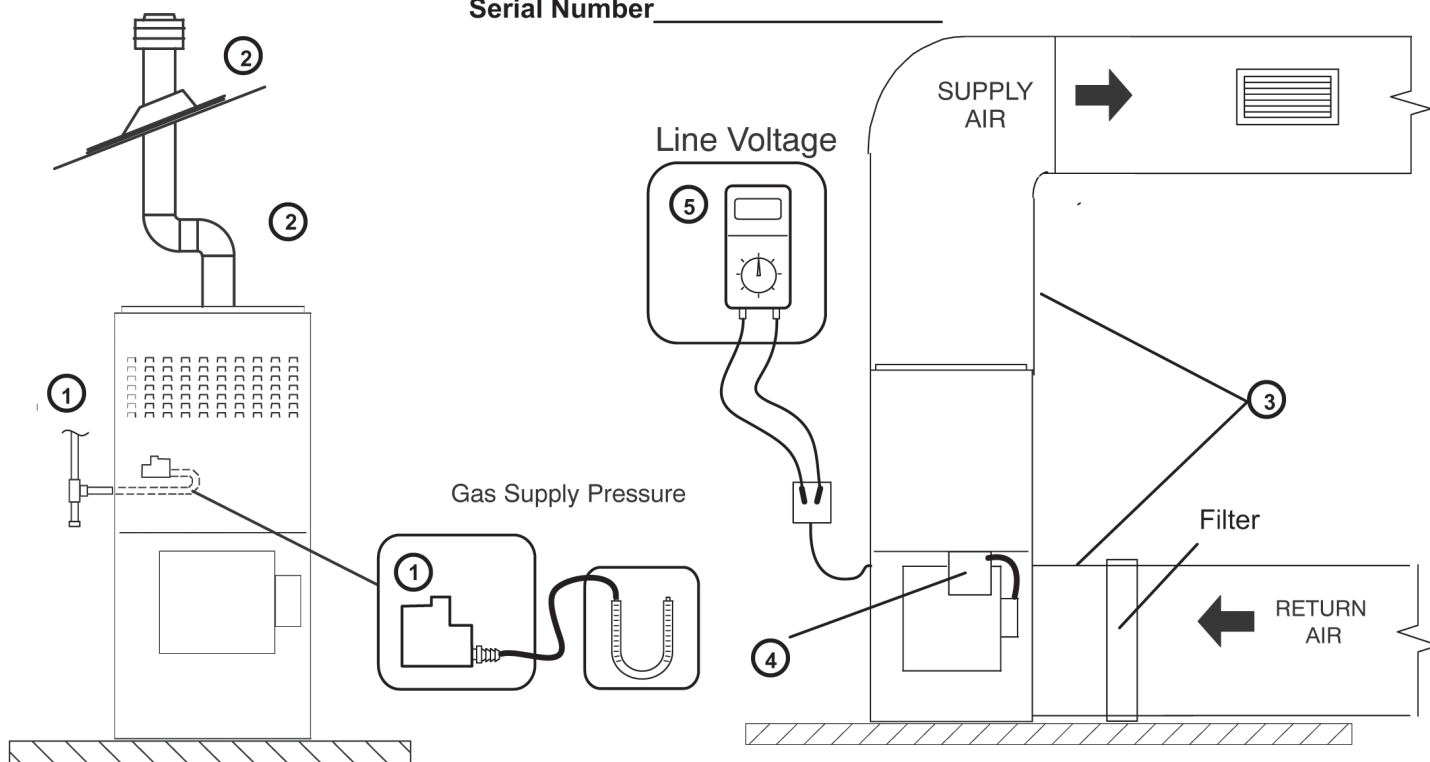
To reduce exposure to this substance or for further information, consult material safety data sheets available from address shown below, or contact your supervisor.

START-UP & PERFORMANCE CHECKLIST

UNIT SET UP

Unit Model Number _____

Serial Number _____



① GAS SUPPLY

- Natural Gas LP/Propane Gas
- Piping Connections Tight
- Leak Tested
- Supply Line Pressure " W.C. _____

② VENT / EXHAUST PIPE

- Secure to Unit
- Elbows Secured to Pipe
- Roof Flashing (water tight)
- Vent Pipe Supported

③ DUCT SYSTEM

SUPPLY AIR DUCT

- Sealed
- Insulated (if necessary)
- Registers Open and Unobstructed

RETURN DUCT

- Sealed
- Filter Installed and Clean
- Grilles Unobstructed

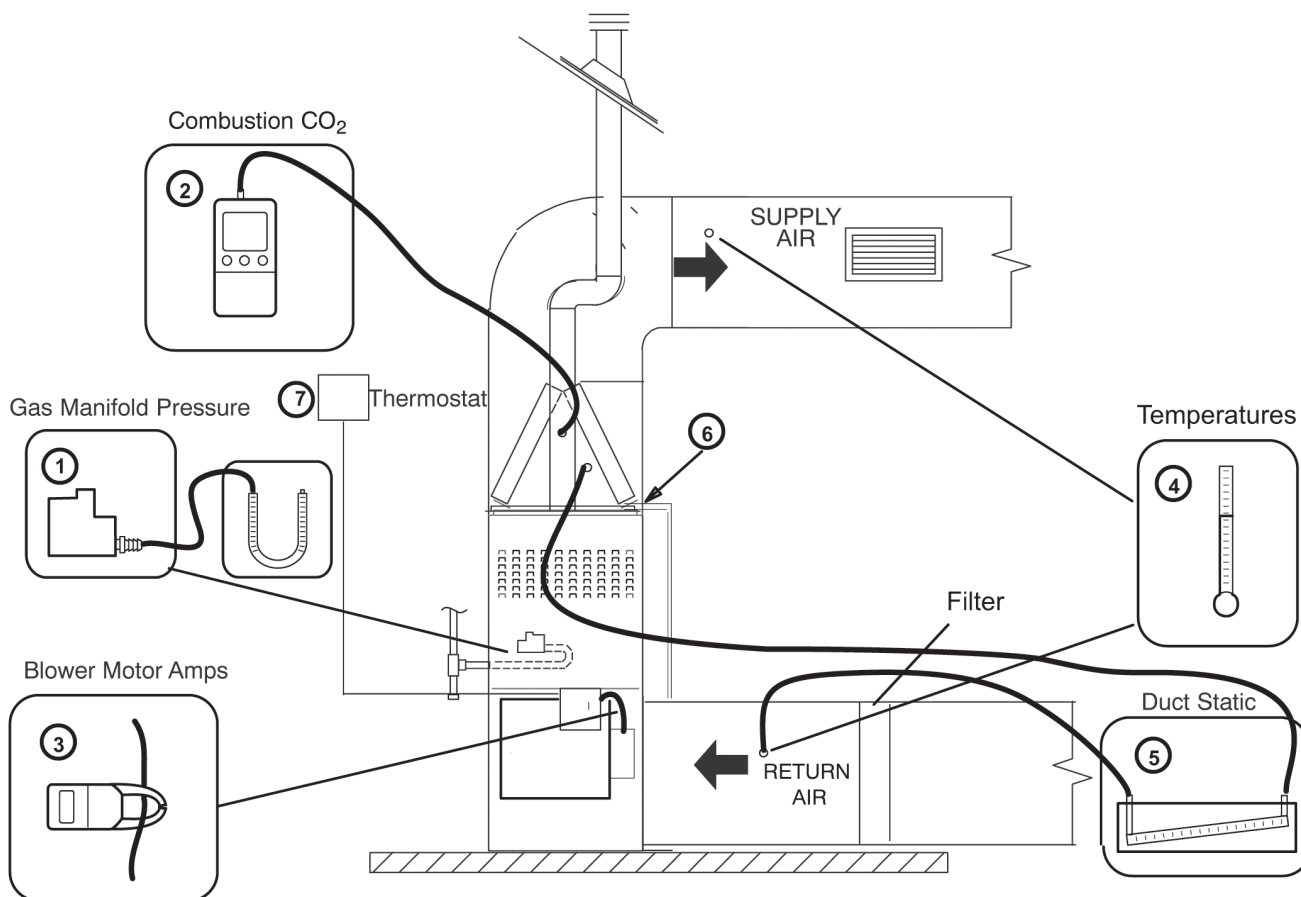
④ INTEGRATED CONTROL

- DIP Switches Set (if applicable)
- Appropriate Links in Place (if applicable)

⑤ VOLTAGE CHECK

- Supply Voltage _____
- Electrical Connections Tight

UNIT OPERATION



HEATING MODE

- ① GAS MANIFOLD PRESSURE "W.C. _____
- ② COMBUSTION SAMPLE CO₂% _____ CO PPM _____
- ③ INDOOR BLOWER AMPS _____
- ④ TEMPERATURE RISE
Supply Duct Temperature _____
Return Duct Temperature - _____
Temperature Rise = _____
- ⑤ TOTAL EXTERNAL STATIC (dry coil)
Supply External Static _____
Return External Static + _____
Total External Static = _____

COOLING MODE

- ③ INDOOR BLOWER AMPS _____
- ④ TEMPERATURE DROP
Return Duct Temperature _____
Supply Duct Temperature - _____
Temperature Drop = _____
- ⑤ TOTAL EXTERNAL STATIC (dry coil)
Supply External Static _____
Return External Static + _____
Total External Static = _____
- ⑥ DRAIN LINE
 Leak Free
- ⑦ THERMOSTAT
 Adjusted and Programmed
 Operation Explained to Owner

Contractor's: Name _____ Telephone _____ Checklist Completed _____

Job Address _____ Technician's Name _____

Australia 13 23 50 New Zealand 0800 653 330

Web www.lennox.com.au